

KENT
Magic
CAR AIR PURIFIER

HEPA
TECHNOLOGY

REMOVES
PARTICULATE
MATTER FROM AIR



HOUSE of PURITY

Instruction Manual



HEPA CAR AIR PURIFIER
Suitable for Car Cabin

Welcome to KENT

Dear Customer,

At the outset, allow us to thank you for your trust in **KENT Magic HEPA Car Air Purifier**. At **KENT**, we take pride in our reputation for product quality and industry proven performance. We are certain that your decision to own **KENT Magic HEPA Car Air Purifier** will go a long way towards keeping you and your family in good health. We are confident that you will be more than satisfied with its performance and that it will serve your need for safer and purer living without any compromise.

This guide would help you in getting the best out of your **KENT Magic HEPA Car Air Purifier**. Please go through the booklet to familiarize yourself with operation and maintenance.

You can look forward to years of trouble free service. To ensure that the warranty of your **KENT Magic HEPA Car Air Purifier** is effective, it is important that you fill up the enclosed warranty card and mail it to us within 15 days of purchase.

In case you require any further information, please contact your nearest **KENT** dealer / branch.

Happy Living,
KENT RO SYSTEMS LTD.



HOUSE of PURITY

Table of Contents

1. Why KENT Magic HEPA Car Air Purifier	1
2. Salient Features of KENT Magic HEPA Car Air Purifier	1
3. Know your product	2
4. Items in the Box	2
5. HEPA Filter Technology	2
6. Filtration Process	3
7. Using KENT Magic HEPA Car Air Purifier	3
8. Cleaning and Maintenance	3
9. Troubleshooting	5
10. Precautions	5
11. Important Safety Instructions	6
12. Technical Specifications	6

Why KENT Magic HEPA Car Air Purifier

We, at KENT have always advocated for clean and healthy life. Over the years, KENT, has evolved as a brand known for developing cutting edge and innovative solutions for cleaning the water we drink, the vegetable & fruits we eat, the homes we live in and the air we breathe.

When it comes to innovation, introduction or adapting newer technology, for betterment of life, KENT has always been a pioneer. The commitment for betterment of life and workmanship has helped us to evolve and turn the brand into a synonym for well-being and health.

Continuing with our tradition of innovation, we now present the KENT Magic HEPA Car Air Purifier, with HEPA filter to sanitize and clean air inside car cabins.

Over the years, the air quality in India has deteriorated. 13 Indian cities have been included in the list of world's top 20 most polluted cities (list compiled by WHO). If reports are to be believed, living in most of the Indian cities is like living in a gas chamber. The high concentration of air pollutants have an adverse effects on our health and inhaling them leads to major complications like asthma, flu and other respiratory diseases.

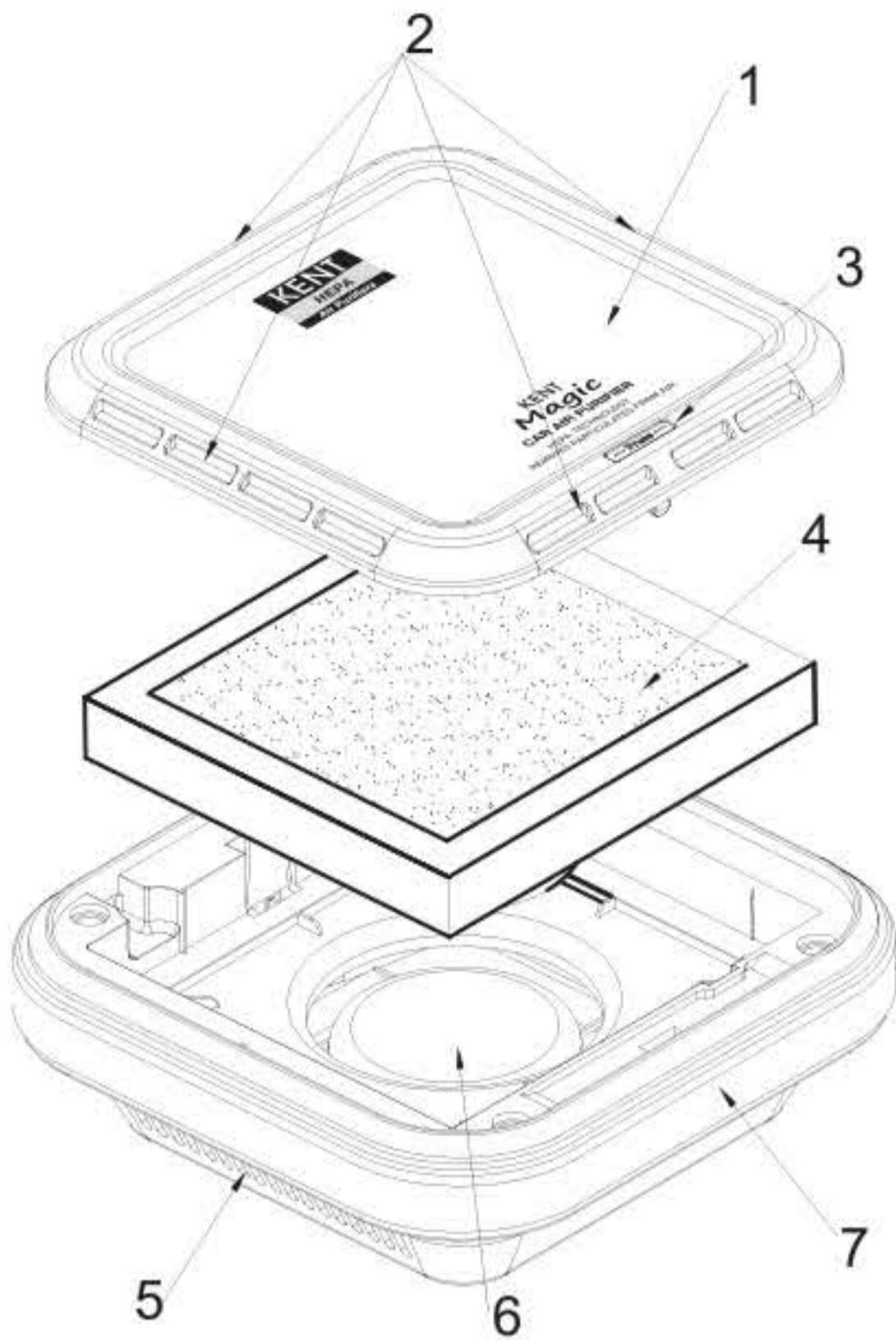
The air inside car cabin, can be 5 to 6 times more polluted than the outside air. Due to the closed environment in car cabin, a 30 minute exposure to this polluted air can have serious health ramifications. An individual, who travels on daily basis needs protection against the profound threats.

KENT MAGIC-HEPA Car AIR PURIFIER, with unique 3-stage filtration process removes up-to 99% of air pollutants inside car cabin, keeping your family and you in good health.

Salient Features of KENT Magic HEPA Car Air Purifier

- HEPA (High Efficiency Particulate Arrestor) dust collection technology
- High-efficiency removal of Particulate Matter
- Removes up to 99% of fine particles & toxic gasses
- Carbon filter neutralizes unpleasant odors
- Noiseless Operation
- High air purification power
- Highly efficient and better than ionizer based purifiers
- Easy operation

Know Your Product



1. Top cover
2. Air inlet vents
3. Cover release button
4. Filter cartridge
5. Air outlet vents
6. Fan/motor assembly
7. Outer body cover

Items in the Box

1. KENT MAGIC HEPA Car Air Purifier : 01 No.
2. User Guide : 01 No.
3. 12 V, DC adapter : 01 No.

HEPA Filter Technology

A HEPA (HEPA stands for high-efficiency particulate arrestor) is a type of mechanical air filter, which remove 99.97% of particles of size less than 0.3 microns (micron is one millionth of a meter) in diameter from the air passed through it.

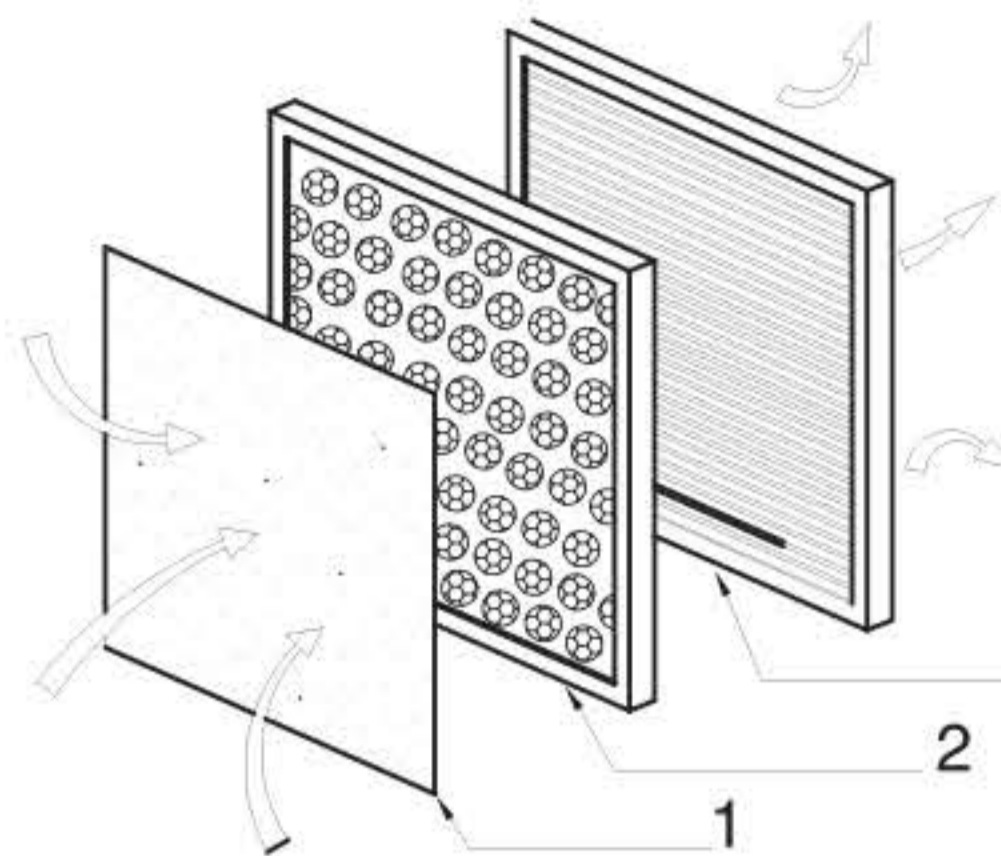
HEPA uses three different mechanisms (Impact, Interception and diffusion) to catch and trap particles as they pass through in the air.

These three mechanisms allow HEPA filters to catch and trap carcinogens particles that are larger than 0.3 micron size such as dust mites, mold spores, pollen, and pet dander and tobacco smoke.

These carcinogens particles are highly injurious to health and are known to cause of many health hazards including allergy, asthma and lung cancer and these cannot be removed by the normal filters available in the market.

Filtration Process

KENT MAGIC HEPA Car Air Purifier, cleans and purifies air with its unique 3 stage filtration process.

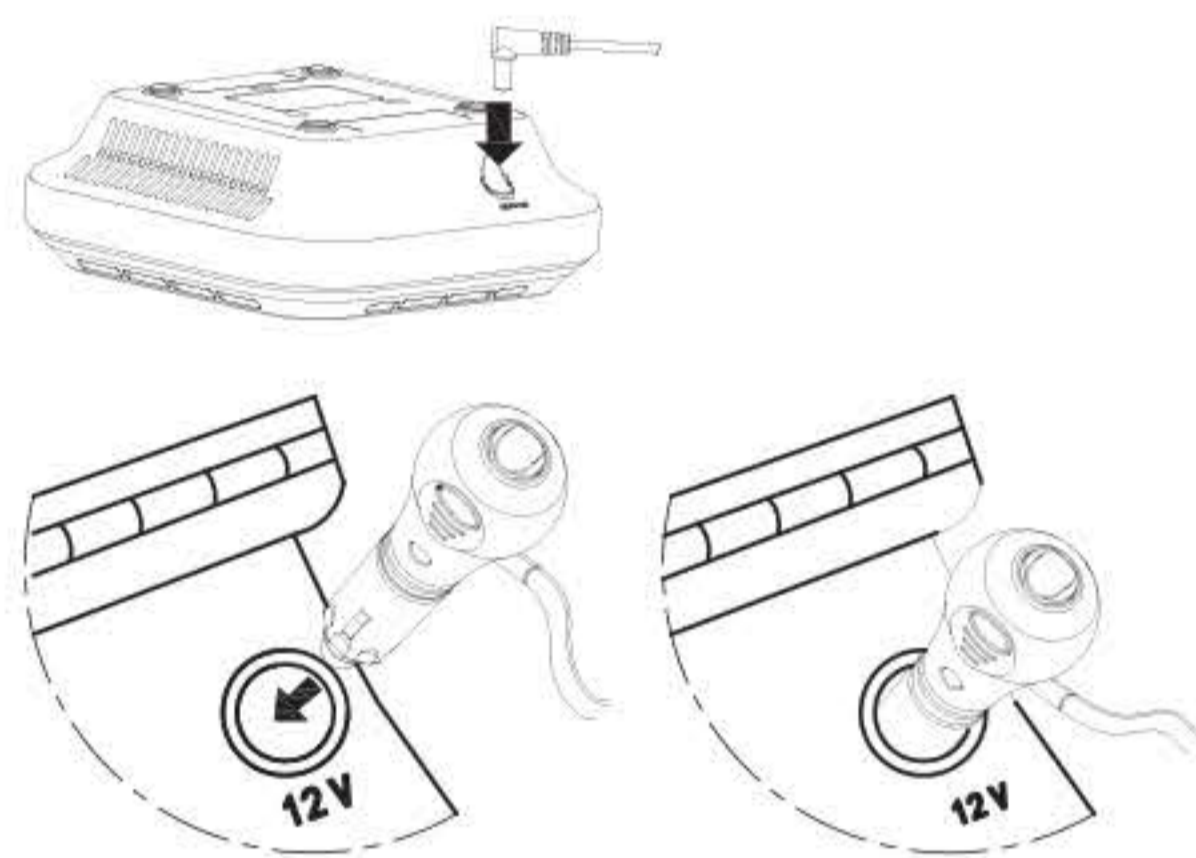


1. Pre filter: Acting as a first line of defense, the PRE FILTER, catches bigger and visible particles like human and pet hair, large dust particles etc.

2. The activated carbon filter: The carbon filter removes chemical pollutants like smoke, odour, formaldehyde, benzene and other volatile organic compounds (VOC's).

3. HEPA filters: HEPA filter catches and traps carcinogens particles that are larger than 0.3 micron size.

Using KENT Magic HEPA Car Air Purifier



1. Unpack the unit completely and remove any stickers that can prevent its operation.

2. Check the unit for damages, do not use it in case of any damages.

3. Connect adapter (as shown in the figure) and plug in the car air-purifier.

4. To start the KENT Magic

HEPA Car Air Purifier, push the button either to I (low speed) or II (high speed).

5. To control fan speed, toggle between I (low speed) and II (high speed).

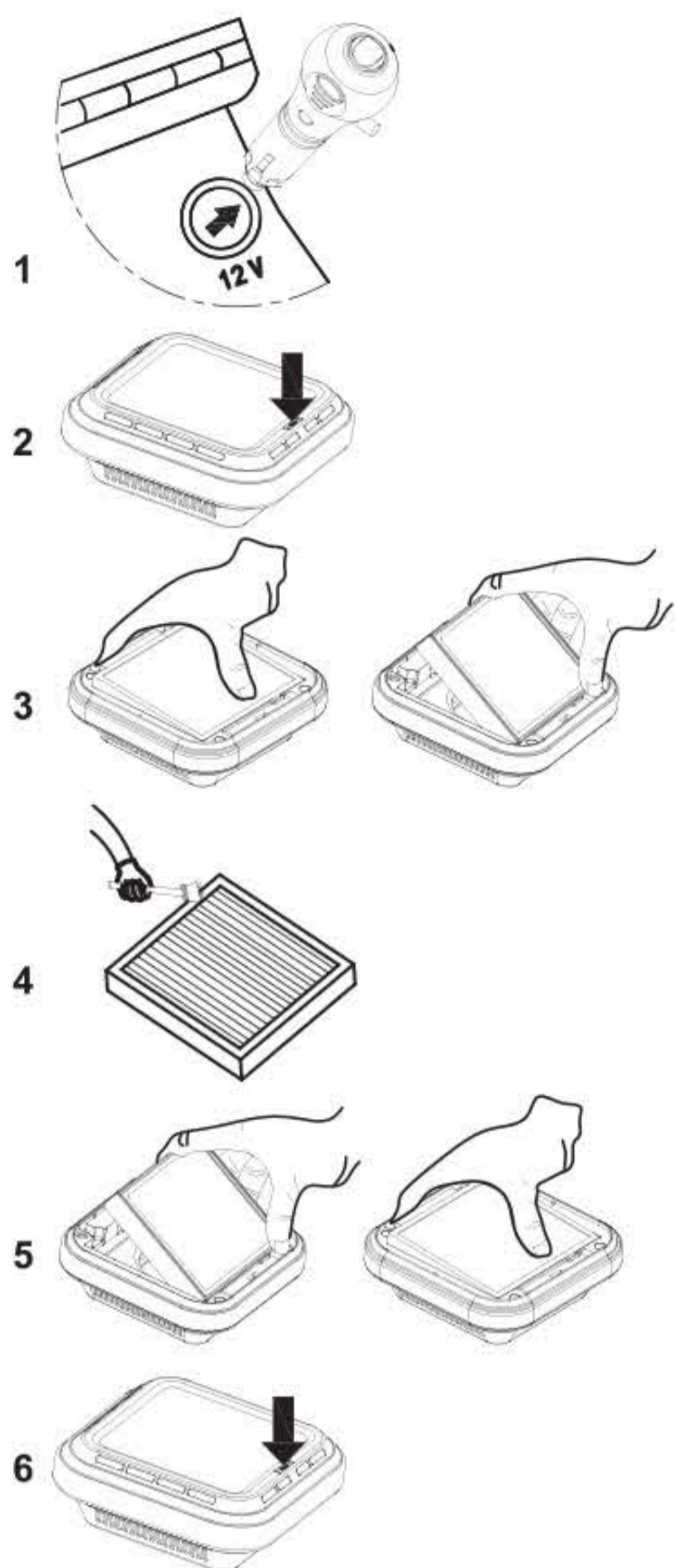
6. To turn off the machine, push the button to 0 (off state).

Cleaning & Maintenance

To keep your KENT Magic HEPA Car Air Purifier spotless, please ensure a periodic cleaning of your purifier.

- Switch off and unplug the appliance from power supply
- Wipe the appliance with a soft cloth to remove any dust or dirt
- In case of stubborn marks, wipe with a soft cloth
- Do not use the machine till it is completely dry
- Do not clean the appliance by immersing it in water or under tap water. It might cause defects or malfunction in the appliance

Cleaning of Filters



To ensure high efficiency, it is recommended to clean the filter cartridge on regular basis.

Steps for cleaning filter cartridge

Step one:

Unplug the appliance.

Step two:

Gently press the button to release the top cover.

Step three:

Pull out the filter cartridge by un-securing the lock first.

Step four:

Clean the cartridge with the help of a soft brushes or mini vacuum cleaner.

Step five:

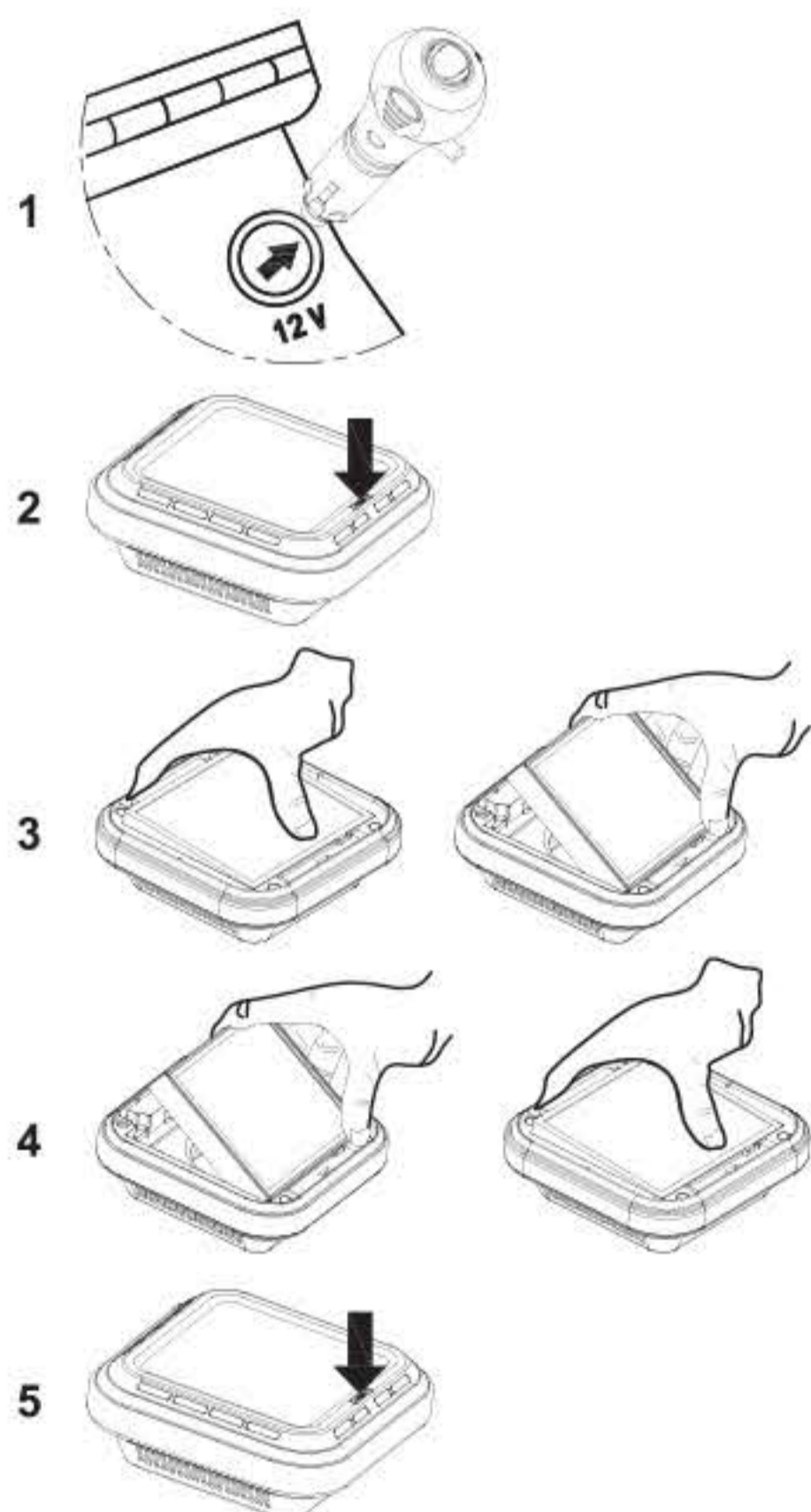
Re-insert the filter cartridge. Ensure that the cartridge is inserted properly.

Step six:

Secure the top cover.

Note: Do not use water to clean filter cartridge.

Replacement of Filters



Step one:

Unplug the appliance.

Step two:

Gently press the button to release the top cover.

Step three:

Pull out the filter cartridge by un-securing the lock first.

Step four:

Insert the new filter cartridge. Ensure that cartridge is inserted properly.

Step five:

Secure the top cover.

In order to ensure maximum purification, it is recommended to replace the cartridge after every 6 months.

Trouble Shooting

Problem	Possible Cause	Possible Solutions
The appliance does not switch on.	Power cord not firmly plugged into socket.	Plug the unit firmly. In case it still does not work call KENT authorized service center.
The appliance does not switch on.	Power cord not firmly plugged into socket.	Plug the unit firmly. In case it still does not work call KENT authorized service center.
Air not coming out	Air intake or outlet is blocked.	Change the position or remove the blockage.
	Motor doesn't work.	Call KENT authorized service center.
The purifier has been running for some time, but the car still smells odd.	The car cabin is not properly sealed.	Check is any window is open, if so, please close it.
	Purifier is not on.	Start purifier.
	The concentration of the pollutants is high.	Increase the speed of purifier.
	Filters are choked.	Clean filters if the problem still persists, replace filters.
	Motor not working.	Call KENT authorized service center.

Precautions

- Do not disassemble, repair the appliance on your own. It may cause appliance failure or breakdown.
- The input voltage must not exceed the rating; it might damage the appliance
- Unplug before replacing the filter/cleaning/moving the appliance
- Do not use the appliance with damaged power cord or plug
- If power cord is damaged, replace it with a genuine KENT spare
- To clean the purifier, do not wash the purifier or clean it by spraying it with some liquid
- Ensure that the purifier is properly secured in place
- Do not cover purifier with some cloth or any object
- If the machine is not be used for longer time, unplug it
- Do not sit, stand or shake the appliance
- Do not use the machine when it is in recumbent or inclined position
- Do not use the machine at heavily smoky or dusty place, e.g., kitchen or where flammable gas, caustic gas or metal dust may have access, which may otherwise cause fire or failure

Important Safety Instructions

When using an electrical appliance, basic precaution should always be followed, including the following:

1. Unplug, when not in use and before servicing.
2. Use the appliance only as described in the manual.
3. Do not use the appliance if cord or plug is damaged or worn out. Replace the damaged cord or plug immediately.
4. Do not try to service the appliance on your own. Send it to an authorized service center only.
5. Keep cord away from heated surfaces.
6. Do not unplug the appliance by pulling the cord. Always unplug by pulling the plug and not the cord.
7. Keep hair, loose clothing, fingers and all parts of body away from moving parts.
8. Turn all controls off before unplugging.
9. Never use the appliance without filter in place.
10. This appliance is suitable for car use only.
11. Keep away from children.
12. The appliance is not designed to be used by people who are physically or mentally disabled or mentally handicapped or lack of relevant experience and knowledge, unless a person responsible for their safety uses the product for supervision or guidance.
13. Do not put the product directly under the air conditioning, to prevent condensation of water droplets into the product.

Technical Specifications

Product	KENT Magic Car Air Purifier
Product Code	115003
Product Generic Name	Air Purifier
Product Colour	Grey
Mounting	Pedestal
Net Weight	0.45 kg
Input Power Supply	12 V, DC.
Product dimension (mm)	161 (L) X 161 (W) X 64 (H)
Noise (dB)	35 dB (A)
CADR (Clean air delivery rate)	15 to 25 m ³ /h
Power cord length	2.5 m
Total Power Consumption	3.6 W



HOUSE of PURITY



January, 2019



Marketed by:

KENT RO SYSTEMS LTD.

E-6, 7 & 8, Sector-59, Noida, U.P.-201309, India.

E-mail: sales@kent.co.in | Website: www.kent.co.in

Manufactured by:

KENT RO SYSTEMS LTD.

Khasra No.93, Village-Bantakhedi, Tehsil-Roorkee,

District-Haridwar, Uttarakhand-247668, India.

For customer complaints, contact Customer Care Officer at:

E-6, 7 & 8, Sector-59, Noida, UP-201 309, India. Call: 92-789-12345

E-mail: service@kent.co.in or Visit us at www.kent.co.in