



HOUSE of PURITY

Imported & Marketed by:
KENT RO SYSTEMS LTD.

E-6, Sector-59, Noida, U.P.-201 309, India

Made in People's Republic of China

KENT Dash

✦ VACUUM CLEANER ✦

Instruction Manual



CYCLONE⁵ Technology

Cleans with lower dust discharge
using HEPA filter

New Age Vacuum Cleaners

Pure Cleaning
Healthy Living



HOUSE of PURITY



Vacuum Cleans
Floor, Curtains,
Carpet, etc.



Convenient &
Fast Operation



More Hygienic
Cleaning
than Sweeping



Detachable &
Easy to Pack



Bagless
Vacuum Cleaner



Welcome to KENT



HOUSE of PURITY

Dear Customer,

At the outset, allow us to thank you for your trust in **KENT Dash Vacuum Cleaner**. At KENT, we take pride in our reputation for product quality and industry proven performance. We are certain that your decision to own **KENT Dash Vacuum Cleaner** will go a long way towards keeping you and your family in good health. We are confident that you will be more than satisfied with its performance and that it will serve your need for safer and cleaner living without any compromise.

This guide will help you in getting the best out of your **KENT Dash Vacuum Cleaner**. Please go through the booklet to familiarise yourself with its operation and maintenance.

In case you require any further information, please contact your nearest KENT dealer / branch.

Happy Cleaning

KENT RO Systems Ltd.

Table of Contents

1. Introduction	1
2. Features of KENT Dash Vacuum Cleaner	1
3. Know your Product	1
4. Items in the Box.....	2
5. Assembling your KENT Dash Vacuum Cleaner.....	2
6. Using the KENT Dash Vacuum Cleaner	3
7. Important Instructions	4
8. Cleaning and Maintenance	4
9. Troubleshooting	5
10. General Safety Instructions	6
11. Technical Specifications	7

Introduction

We at KENT have always believed that a clean and healthy life is a right of every individual. This ethos made us embark on the journey to develop innovative solutions for cleaning the water we drink, fruits & vegetables we eat and the air we breathe.

Using innovative technology supported by a proficient service network, we have been able to create a brand which has become synonymous for well-being and health.

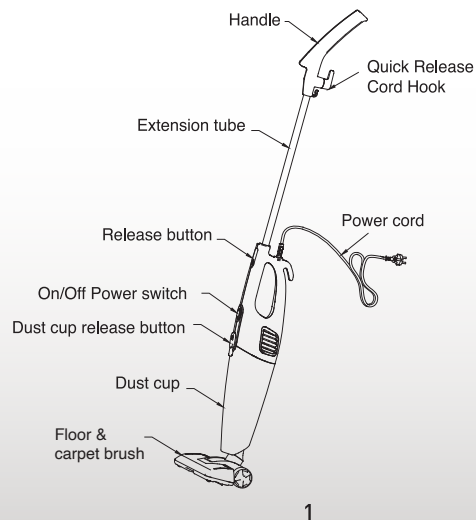
Continuing with the tradition, we now present the **KENT Dash Vacuum Cleaner**, with futuristic and state-of-the-art Cyclonic technology and HEPA filters to provide clean, dust-free and spotless surroundings.

In **KENT Dash Vacuum Cleaner** the air and dust are sucked at high speed creating a fast-spinning vortex while the dust is separated in a detachable cylindrical collection bin. The HEPA filter in **KENT Dash Vacuum Cleaner** reduces the air pollution in the room with lower dust discharge.

Features of KENT Dash Vacuum Cleaner

1. Advanced Cyclonic Technology (without filtration bags) for dust collection and HEPA (High Efficiency Particulate Arrestance) based discharge filter.
2. High efficiency motor with strong suction force for efficient cleaning.
3. Reduces air pollution due to lower dust and particulate matter (PM) discharge.
4. Multifunctional Vacuum Cleaner that cleans floor, curtains, carpet etc.
5. Compact & handy bagless vacuum cleaner.
6. Lightweight & easy to handle with rubberised wheels.
7. Lower noise fast operation.
8. More hygienic cleaning than sweeping.

Know Your Product



Items in the Box

- | | |
|-----------------------------|-------|
| 1. KENT Dash Vacuum Cleaner | : 1 N |
| 2. Extension Handle | : 1 N |
| 3. Crevice Nozzle | : 1 N |
| 4. Crevice Brush | : 1 N |
| 5. Floor/Carpet Brush | : 1 N |
| 6. User Manual | : 1 N |

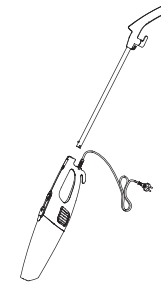
Assembling Your KENT Dash Vacuum Cleaner

1. Unpack the unit and remove any stickers that can prevent unit operation.
2. Check the unit for damages. Do not use it in case of any damages.
3. Before switching the unit on, make sure that your home's main voltage corresponds to the unit's operating voltage.

Attaching/Detaching

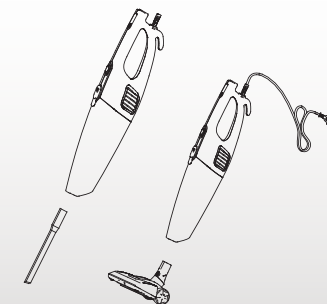
Connecting the Extension handle

1. Directly insert the extension tube in the main body, until you hear a click sound.
2. To remove the extension tube press the release button.



Connecting the Crevice Nozzle/Floor and Carpet Brush

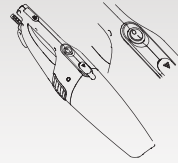
1. Gently insert the crevice nozzle or floor/carpet brush into the suction opening.



Note: Always remove the plug from the power socket before fitting or removing accessories.

Using your KENT Dash Vacuum Cleaner

1. Press on/off button to switch on your appliance.



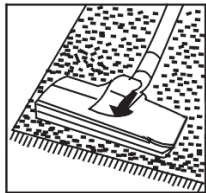
2. After use, switch the appliance off and unplug the cord.
3. Wind power cord around the quick release cord hook and the cord winding hook. To unwind the power cord, simply twist the quick release cord hook to left or right.



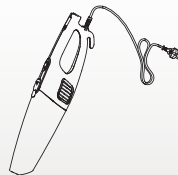
4. Store in an upright position.

Using the Accessories

1. The crevice tool is ideal for cleaning surfaces that are difficult to clean otherwise, such as radiators, couch corners and cushion edges.
2. The crevice brush is ideal for cleaning sofas, couches and chairs.
3. The floor/carpet brush can be used for cleaning both, hard floors and carpets.



4. Use the appliance in hand-held mode to clean the surfaces of furniture, floors, walls and curtains, etc.



Note: Always remove the plug from the power socket before fitting or removing accessories.

Important Instructions

1. Do not operate the vacuum cleaner too close to heaters, radiators, cigarette butts, etc.
2. Do not plug or unplug the device with wet hands.
3. Before using the vacuum cleaner, remove large or sharp objects from the floor to prevent damage of HEPA filter.
4. While unplugging, do not pull the electrical cord. Pull out the plug.



Note: If the suction pipe is blocked, switch off the vacuum cleaner at once. Unplug the appliance before clearing the blockage. Once done, you can start the vacuum cleaner again.

Cleaning and Maintenance

1. Switch off and unplug the appliance before cleaning it.
2. Clean the appliance with a dry cloth.
3. Take out the inlet or outlet filter when it's getting dirty.
4. Clean it in warm water without any cleaning agent and put it back when it is completely dry.

Note: Never use gasoline, solvent, abrasive cleaning agents, metal objects or hard brushes to clean the appliance.

Cleaning & Changing the Dust Cup Filter

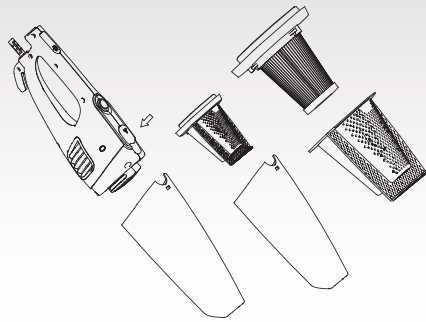
In order to achieve the best performance, empty the dust cup container and clean the dust cup filter after each use.

1. Remove the dust bucket as shown by the dust cup release button .
2. Rinse the dust cup filter in cold water, and then let it air dry for 24 hours before replacing it back in the dust cup container.

Note: Do not use a washing machine to clean the dust cup filter. Do not use a hair dryer to dry it, air dry it only.

3. Replace the dust cup filter carefully into the dust cup compartment. Never operate the vacuum cleaner without the dust cup filter in place.
4. Attach the dust cup container to the main body of the unit.

Note: It is recommended that the dust cup filter be replaced every three (3) months (depending on usage) to ensure peak performance of the unit.



Storage

1. If you do not intend to use the appliance for a long time, store it in a dry and well-ventilated place.
2. Wind the cord to the hook of the cord and place the crevice tool in the accessory holder.
3. Place the appliance in an upright position.
4. Keep the appliance out of the reach of children.

Troubleshooting

Problem	Possible Reason	Possible Solution
Vacuum cleaner not operating	<ul style="list-style-type: none"> • The outlet has no power. 	<ul style="list-style-type: none"> • Check the fuse or circuit breaker and replace or reset as needed.
Vacuum cleaner not picking up debris or weak suction power	<ul style="list-style-type: none"> • Dust cup container is full. • Dust cup filter is clogged and needs cleaning or replacement. 	<ul style="list-style-type: none"> • Empty the dust cup container. • Inspect and clear the air duct by removing the dust cup filter, and then clean or replace the filter as needed. • Charge the unit.
Dust leaking from the vacuum	<ul style="list-style-type: none"> • Dust cup container is full. • Dust cup filter is not installed correctly. • Puncture or hole in the dust cup. 	<ul style="list-style-type: none"> • Empty the dust cup container. • Check if the dust cup filter is installed correctly.

General Safety Instructions

When using an electrical appliance, basic precautions should always be followed, including the following:

1. Do not leave the vacuum cleaner on when plugged in. Unplug, when not in use and before servicing it.
2. To reduce risk of electric shock, do not use on wet surfaces.
3. Use the appliance only as described in the operating instruction manual.
4. Always use manufacturer's recommended attachments only.
5. Do not use the appliance if cord or plug is damaged or worn out. Replace the damaged cord or plug immediately.
6. Do not try to service the appliance on your own. Send it to an authorised service centre.
7. Never use the cord as a handle, close a door on the cord, or pull the cord around sharp edges or corners. Keep the cord away from heated surfaces.
8. Do not unplug the cord by pulling it. Always unplug by pulling out the plug.
9. To avoid electric shocks, do not use the appliance with wet hands.
10. Keep hair, loose clothing, fingers and all parts of body away from moving parts.
11. Turn the appliance off before unplugging.
12. Use extra precautions while cleaning stairs.
13. Do not use the appliance to pick any flammable or combustible liquids, such as gasoline. Do not use in areas where they may be present.
14. Unplug the appliance before connecting any accessories.
15. Do not pick up anything that is burning or smoking, such as cigarettes, matches, or hot-ash.
16. Never use the appliance without the filter in place.
17. If the supply cord is damaged, it must be replaced by the manufacturer, its service agent or a similarly qualified person in order to avoid a hazard.
18. This appliance is suitable for indoor use only.
19. Keep away from children.

Warning: To reduce the risk of electric shock, this vacuum cleaner has a polarized plug (one blade is wider than the other). This plug will fit in a polarized outlet only one way. If the plug does not fit in the outlet, reverse the plug. If it still does not fit, contact a qualified electrician to install the plug in the outlet. Do not change the plug in any way.

Technical Specifications

Model Name	KENT Dash Vacuum Cleaner
Product Code	116177
Net Weight	1.50 kg
Input Power Supply	Single Phase 230 V AC, 50 Hz. <input type="checkbox"/>
Max. Vacuum Pressure	15-16 kPa
Noise	70-80 dB
Capacity	0.8L
Power Cord Length	4.4m
Maximum Power	600 W
IP Rating	IPX0